

SIM1000™ 1 METER STANDARD INTEGRATION MODULE

FLEXIBLE MODULAR AFFORDABLE ASSEMBLY

Jabil's Standard Integration Module (SIM) platform utilizes interchangeable modules to automate basic to complex production applications. Pre-engineered solutions minimize risks, simplify integration, and reduce lead-time. SIM platforms can be used inline or as stand-alone work stations.

JABIL

The most technologically advanced and trusted manufacturing solutions provider

PRODUCT FEATURES AND BENEFITS

- SIM is redeployable - designed with common interfaces enabling rapid change-over of applications.
- Platform supports a range of processes from semi-manual to fully-automated.
- System can be fitted with pallet conveyor or edge belt conveyor, with reversible left-to-right or right-to-left conveyor flow.
- Platforms can be configured in any orientation ensuring optimal support of interrelated processes, production speeds, and quality.
- Modular Z axis and optional Theta axis.
- Vision location options (up-camera or down-camera).
- Standardized mounting flanges and control interfaces.
- Quick-change feeder mounting.
- Full safety guarding (OSHA and ANSI compliant).

SIM1000™ offers a platform that is flexible and modular to handle a variety of production processes.

APPLICATION MODULES

- Label Placement
- P2P Soldering
- Screw fastening
- Vision Based Alignment
- Precision Dispensing
- Pick and Place

SIM CELL OPTIONS

- XYZ Cartesian, SCARA, 6-Axis
- Edge Belt or Pallet Conveyor
- Pneumatic Shuttle (future)
- Board Support (tall stroke)
- Theta Axis on Manipulator
- Vision Up-Camera or Down-Camera
- Barcode Reader

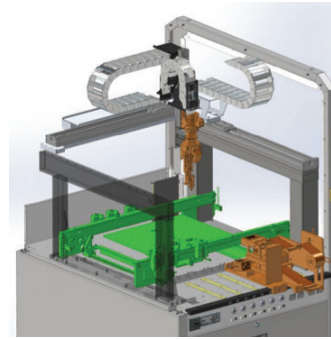
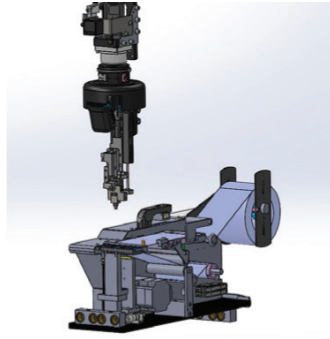
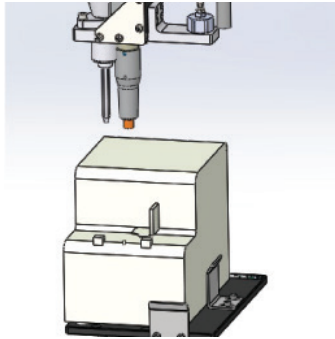


Standard platform sizes ensures compatibility across multiple configurations and sites

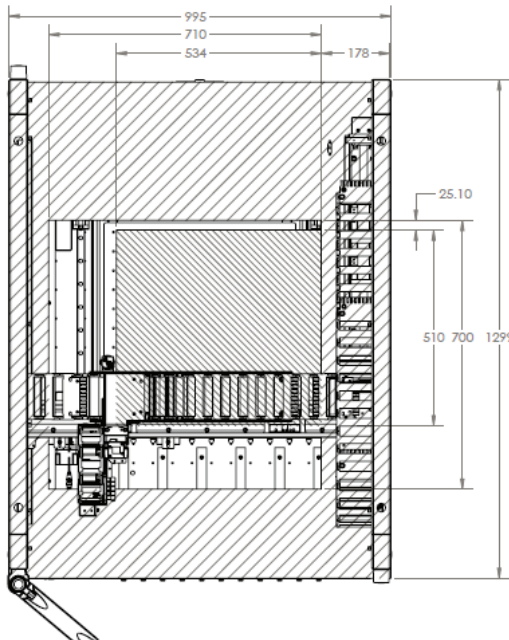
SIM1000™

FLEXIBLE, MODULAR, AFFORDABLE ASSEMBLY

JABIL



BASE CELL LAYOUT



SPECS

Machine Footprint	995 x 1363mm
Work Envelope	700 x 700mm
Axes of Motion	3 axes (X, Y, Z)
Manipular Payload	6 kg (on Z-Axis)
Manipulator Repeatability - X, Y	±50µm
Utility Requirements - Power - Air	220VAC ±10%, 50/60Hz 6 bar, 25 L/min
Product Presentation - Edge Belt Conveyor (Standard) - Pallet Conveyor (Option) - Empty Deck (No Product Presentation)	
Feeder Slots Available	6 Ports (3 ins / 2 outs each)
User I/O - Electrical I/O	12 ins / 13 outs (Base) – Expansions: 8 ins / 8 outs 9 ins / 4 outs (Robot, for EOAT)
- Pneumatic	Expandable via Ethernet I/O 4 pre-wired valves (Deck) 6 pre-wired valves (EOAT) Expansions: 2 valves each
IQWare™ Visual Programming Environment	
MES Connectivity	

Jabil Precision Automation Solutions

1565 S. Sinclair Street
Anaheim, CA 92806

Phone: +1.714.938.0080
www.jabil.com

For over 40 years, Jabil Precision Automation Solutions' unparalleled expertise in advanced automated assembly and precision alignment has helped the world's top companies efficiently manufacture the next generation of semiconductors, mobile and optical devices, and consumer electronics. For more information visit www.jabil.com